



The 18-Kilo Millennium Coffee Roaster

Patent Pending

American Made, Hand Built Quality



SPECIFICATIONS

18 Kilo Model (40 lb) Coffee Roaster. Four med roasts per hour. Designed for easy operation, low maintenance, and a long lifetime. Your choice of several standard colors, trim types and finishes.

- Weight: 1500 lbs
- Total Dimensions¹: 65"x31"x71" (LxWxH)
- Shipping: 1650 lbs
- Cyclone Exhaust: 6" Cooler Exhaust: 6" ²
- 10,000 - 125,000 BTUs adjustable
- Averages 100,000 BTUs
- Gas Supply: 3/4" Pipe with Natural at 9" w.g. or Propane at 13" w.g.
- Quenching requires a 3/8th inch water line (for applicable models)

[1] Allow 18" clearance minimum for service. Dimensions do not include chaff collector

[2] Use Class A type positive pressure piping

[3] **Special note for Propane or bottled gas.** it is highly recommended for your safety that you purchase a quality propane regulator from a Professional source. You must have the correct regulator for the type of supply that you are connecting the roaster to. Changing supply type can or not having the regulator set to the pressure needs of the roaster or the source can be safety hazard and also damage the roaster. If you have needs for regulator please contact one of our Engineering staff for the correct one.

- 18kiloMill Gas 3-Phase / 208-240 V / 15-20 amps
- 18kiloMill Gas Single Phase / 208-240 V / 30 amps

NEW FOR 2020! Stainless cooler liner, 4" magnehelic gauges for air flow and gas pressure, digital environmental air temp gauge, air dampener control, Drum speed drive. Data logging Hardware

FRAME

- Heavy-duty stainless steel double wrapped drum, Stainless cooler screen, grooved face plate for cleaner operation
- Special designed Face plate and gear drive mounts for long life.
- Easy service heavy steel roaster fan and separate fan for cooler
- Removable cooler for easy cleaning with adjustable slip clutch
- Industrial gear drives for smooth operation of drum and cooler stirrer, with safty slip clutch for operator safty.
- Equipped with heavy duty direct drive steel-cooling fan.
- Heavy-duty motors with UL 508-A approved industrial control system and motors, adjustable overloads and contactors.
- Adjustable legs for ease of movement and cleaning
- Easy to adjust housing for the main drum bearing in designed to keep the bearing cooler and lubricated
- Grooved faceplate to seal drum for less product loss

OPERATION

- 24 volt operator controls for safe operation.
- Even and accurate heat controls;
- Cast iron rectangular burners with a large venture mixer or power burners
- Free Standing cyclonic chaff collector.
- Standard lighted push button on-off switches, motor starters and overloads with fault protection.
- Two gas gauges provided for incoming gas pressure and outgoing gauge at gate valve to adjust burner output.
- Profiler model has programmable and digital control w 8" color
- All models include digital bean probe with controller and alarm and environment temp gauge. Air flow gauge.

US Roaster Corp

1530 West Main Street ■ Oklahoma City, OK 73106 ■ Phone: 405.232.1223
 Fax: 405.232.1255 ■ Email: dan@roastersexchange.com



The 18-Kilo Millennium Coffee Roaster

Patent Pending

American Made, Hand Built Quality

- | | |
|--|---|
| <input type="checkbox"/> 18-Kilo Stock Model fully equipped ready to roast \$44,950 | Aesthetic Options |
| <input type="checkbox"/> 18-Kilo Standard Model includes polished Stainless Drum and Cooler or in patterned Copper and bean light \$46,930 | <input type="checkbox"/> Electric roaster door with override and auto discharge (non PLC) |
| <input type="checkbox"/> 18-Kilo Open Frame Model includes fan speed \$47,250 | <input type="checkbox"/> Polished stainless cooler |
| <input type="checkbox"/> 18-Kilo Deluxe Model includes automation and 8" touch screen profiling and Standard model options \$54,870 | <input type="checkbox"/> Smooth or dimensional stainless or hammered copper drum wrap |
| <input type="checkbox"/> Power Burner (hot air option) \$3,290 | <input type="checkbox"/> Dimensional patterned stainless drum wrap |
| Add-ons | <input type="checkbox"/> Hammered copper cooler wrap |
| <input type="checkbox"/> Touchscreen Profiler | <input type="checkbox"/> Pin striping |
| <input type="checkbox"/> <input type="checkbox"/> Semi-Automatic | <input type="checkbox"/> Two tone paint |
| <input type="checkbox"/> Fingertip control | <input type="checkbox"/> Clear coat over paint with metal flake |
| <input type="checkbox"/> Roast Helper Option is included on PLC Control | <input type="checkbox"/> Chrome bean chute |
| Touchscreen Profiler Options | <input type="checkbox"/> Chrome face plate |
| <input type="checkbox"/> Semi-automation with automatic roaster door and auto profile start | <input type="checkbox"/> Custom paint color |
| <input type="checkbox"/> Full automation comes with door control system and stack light system | Operational Options |
| <input type="checkbox"/> Wireless touchscreen to connect to iPhone/iPad | <input type="checkbox"/> Maintenance hour meter |
| <input type="checkbox"/> 10 in color display (8 " standard) | <input type="checkbox"/> Digital roast timer |
| <input type="checkbox"/> Flow meter on water quenching | <input type="checkbox"/> Environmental air temperature with digital read-out |
| <input type="checkbox"/> Smart operation of Afterburner | <input type="checkbox"/> Automatic quenching for drum or cyclone |
| <input type="checkbox"/> Operation of Loaders or Destoners | <input type="checkbox"/> Bean light |
| <input type="checkbox"/> Catalytic or incinerator types of smoke abatement | <input type="checkbox"/> Install extra bean thermocouple for customers data logger |
| <input type="checkbox"/> Cooler Smoke Abatement | <input type="checkbox"/> Drum speed control is included on all roasters |
| | <input type="checkbox"/> Cleaning kit |
| | <input type="checkbox"/> Roaster controls on control head |
| | <input type="checkbox"/> Magnet in cooler discharge |

About Us. The U.S. Roaster Corp. is famous for producing the world's finest roasters that create the best roasted coffee. Partnering with specialty coffee roast masters world-wide we have developed a roaster of superior design, unmatched quality, great reliability, and ease of use. Our Millennium line of roasters provide the roast master with unlimited profile capabilities and unparalleled roast quality. By the second crack you will know why the "Quality of the Roast" comes first at U.S. Roaster Corp.

Free One-on-one training session is provided in Oklahoma City!

Contact us for information

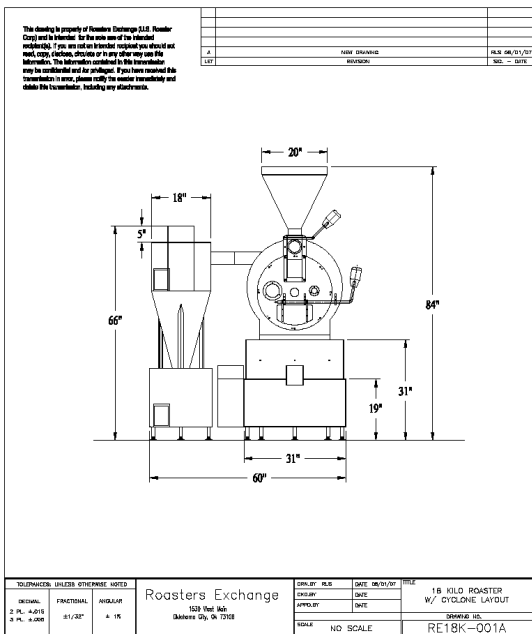
1530 West Main St.
Oklahoma City, OK. 73106
405.232.1223.
dan@roastersexchange.com
www.usroastercorp.com

All local codes to be followed on install.

We reserve the right to make changes due to ongoing improvements.

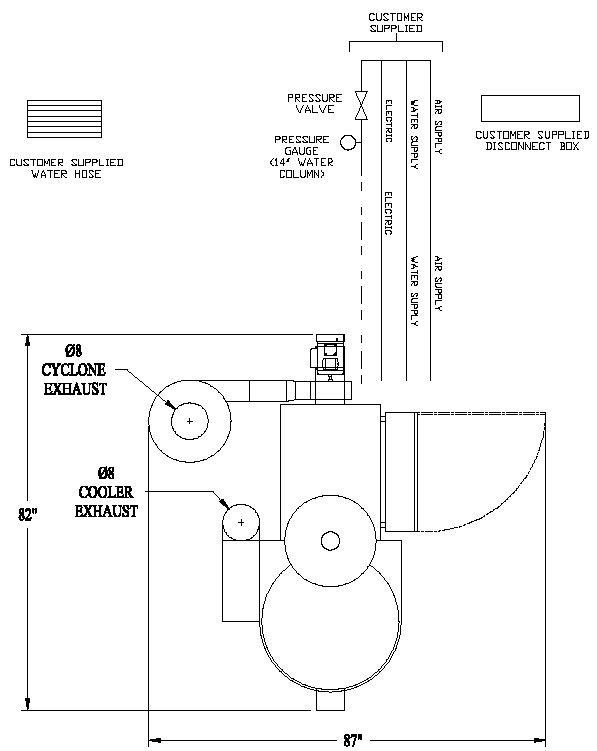
US Roaster Corp

1530 West Main Street ■ Oklahoma City, OK 73106 ■ Phone: 405.232.1223
Fax: 405.232.1255 ■ Email: dan@roastersexchange.com

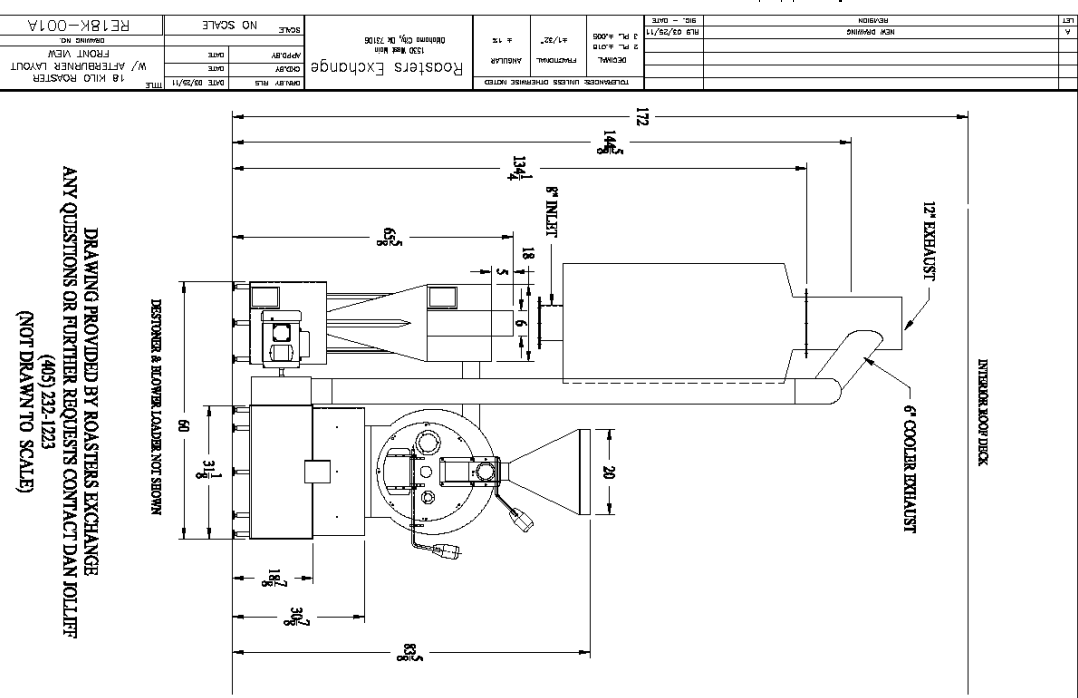


LT	A	NEW DRAWING	DATE: 08/25/11	BY: DAVID
LT	A	REVISED	DATE: 08/25/11	BY: DAVID
TO/ISSUES		UNLESS OTHERWISE NOTED	DATE	BY
3 PL. 4.018	DECIMAL		08/25/11	DAVID
3 PL. 4.008	FRACTIONAL		08/25/11	DAVID
4	ANGULAR			
Roasters Exchange		18 KILG ROASTER W/ CYCLONE LAYOUT		
1525 Oak Hill		Roasters Exchange		
Oskema City, IA 52588		Division of U.S. Roaster Corp		
SCALE: NO SCALE		RE18K-001A		

This drawing is property of Roasters Exchange (U.S. Roaster Corp) and is intended for the sole use of the intended recipient(s). If you are not an intended recipient you should not read, copy, disclose, circulate or in any other way use this information. The information contained in this transmission may be confidential and/or privileged. If you have received this transmission in error, please notify the sender immediately and delete this transmission, including any attachments.



- Connections:
- 1 1/2" - Air Nozzles
 - 3/4" - Water Quench
 - Gas connection to be determined on site



DRAWING PROVIDED BY ROASTERS EXCHANGE
ANY QUESTIONS OR FURTHER REQUESTS CONTACT DAN JOLLIFF
(405) 232-1223
(NOT DRAWN TO SCALE)

We have several types of after-burners and layouts to best fit your needs Just call and lets make a plan for you, Destoners, Loaders, grinders Pack-aging.