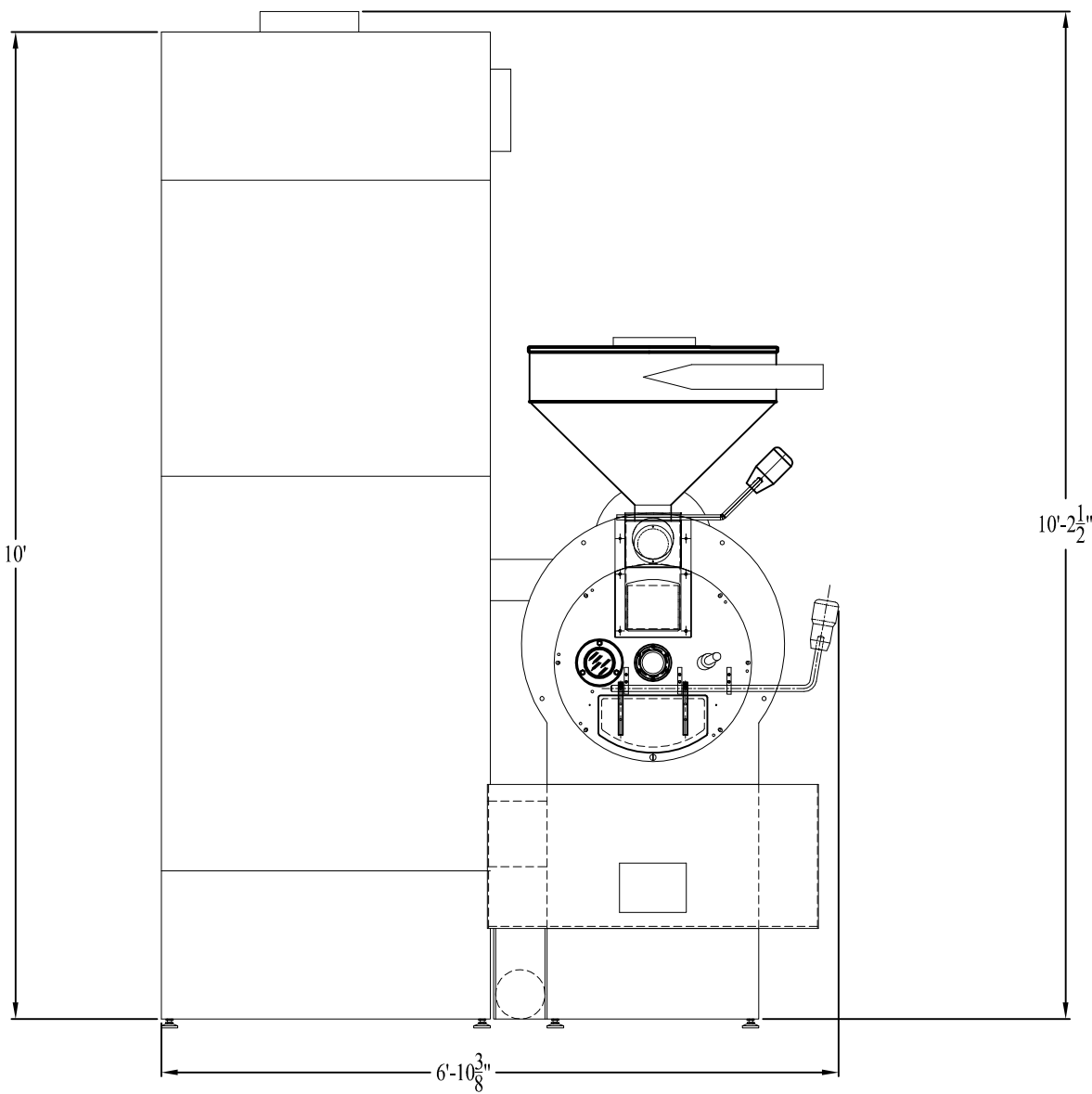


TOP VIEW



FRONT VIEW

This drawing is property of Roasters Exchange (U.S. Roaster Corp) and is intended for the sole use of the intended recipient(s). If you are not an intended recipient you should not read, copy, disclose, circulate or in any other way use this information. The information contained in this transmission may be confidential and /or privileged. If you have received this transmission in error, please notify the sender immediately and delete this transmission, including any attachments.

TOLERANCES: UNLESS OTHERWISE NOTED	
DECIMAL	± .015
FRACTIONAL	± 1/32"
ANGULAR	± 1%
Roasters Exchange 1530 West Main Oklahoma City, OK 73106	
DRN. BY	RLS
CKD. BY	
APPD. BY	
DATE	04/29/10
DATE	
DATE	
TITLE	35 KILO REVELATION
	PRELIMINARY ROASTER ASSEMBLY
SCALE	NO SCALE
DRAWING NO.	RE100429-001A
LET	
A	NEW DRAWING
REVISION	RLS 04/29/10
	SIG. - DATE