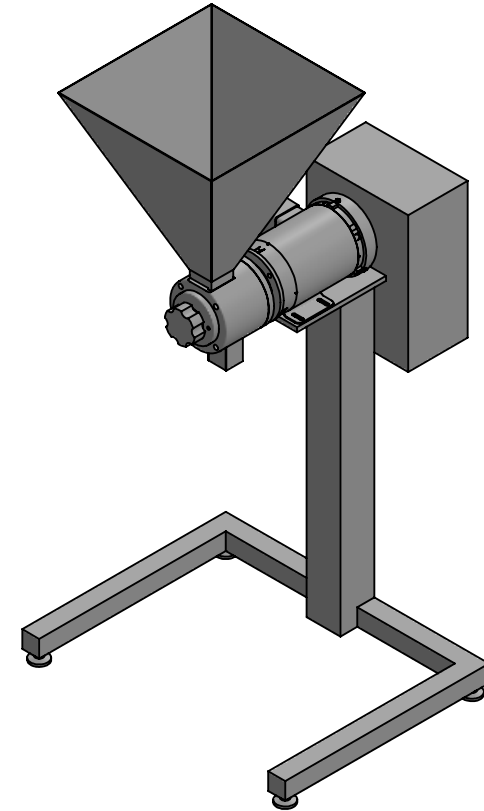
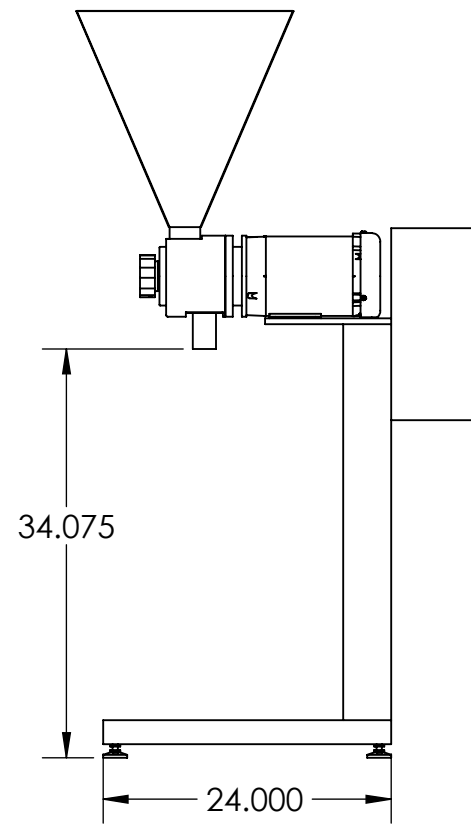
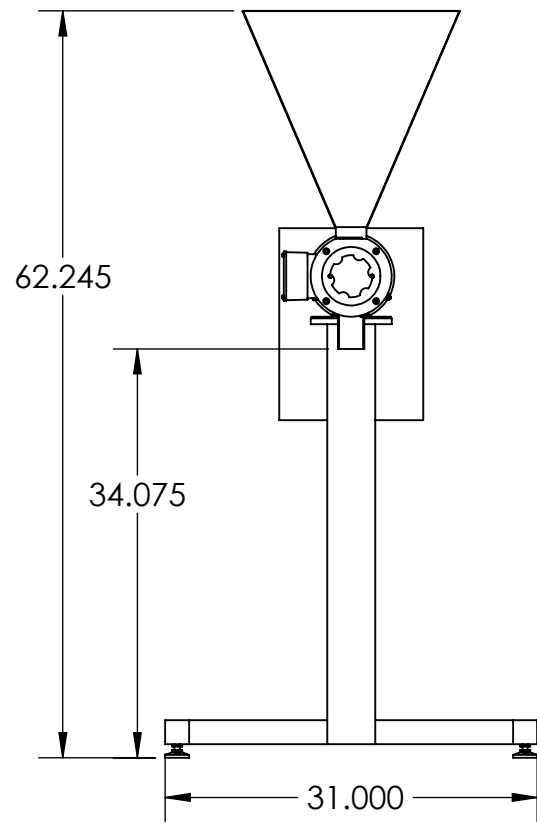
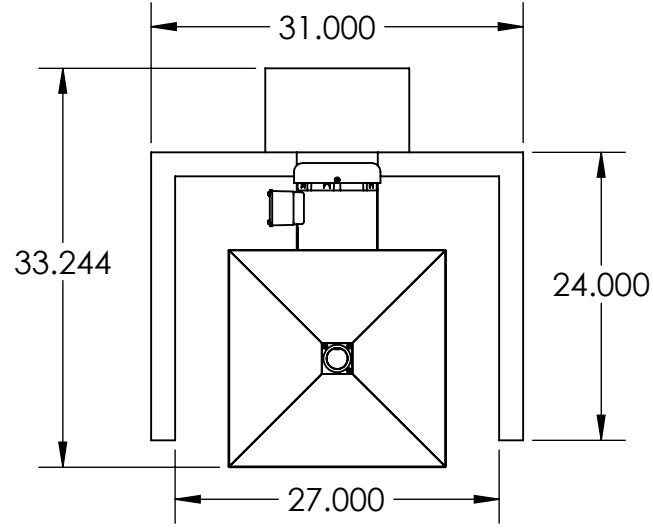


4

3

2

1



B

B

A

A

PROPRIETARY AND CONFIDENTIAL
 THE INFORMATION CONTAINED IN THIS DRAWING IS THE SOLE PROPERTY OF USRC. ANY REPRODUCTION IN PART OR AS A WHOLE WITHOUT THE WRITTEN PERMISSION OF USRC IS PROHIBITED.

		UNLESS OTHERWISE SPECIFIED:	NAME	DATE	LAYOUT	
		DIMENSIONS ARE IN INCHES TOLERANCES: FRACTIONAL ± ANGULAR: MACH ± BEND ± TWO PLACE DECIMAL ± THREE PLACE DECIMAL ±	DRAWN	GTG		
		INTERPRET GEOMETRIC TOLERANCING PER:	CHECKED			TITLE:
		MATERIAL	ENG APPR.			
		FINISH	MFG APPR.			
NEXT ASSY	USED ON		Q.A.			SIZE
APPLICATION		DO NOT SCALE DRAWING	COMMENTS:			DWG. NO.
						B
						MODEL B GRINDER
						REV
						SCALE: 1:16
						WEIGHT:
						SHEET 1 OF 1

4

3

2

1